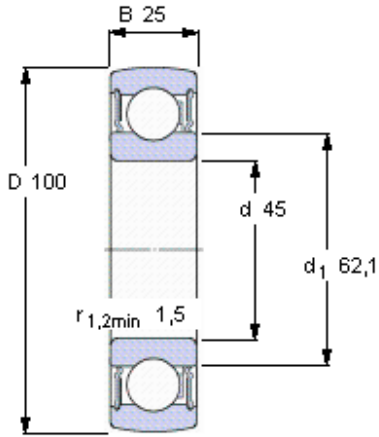


Y-bearings, with a standard inner ring

Principal dimensions			Basic load ratings		Limiting speed	Designation
d	D	B	dynamic C	static C0		
mm			kN		r/min	-
<b>45</b>	100	25	52,7	31,5	4500	<b>1726309-2RS1</b>



**Appropriate rubber seating ring**

-

**Calculation factor**

$f_0 = 13$